

# SKETCH TEMPLATE

## HAK HEAT-COOL-COMBINATION

- Enquiry No.: .....
- Order No.: .....

Customer: .....

Street/Address: .....

Post Code/City: .....

Contact: .....

Direct dial: .....

QTY: .....

diameter: .....

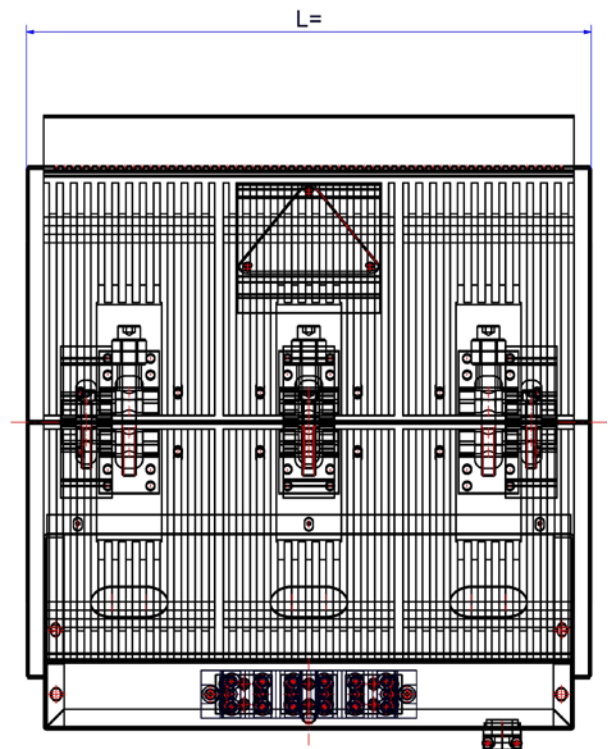
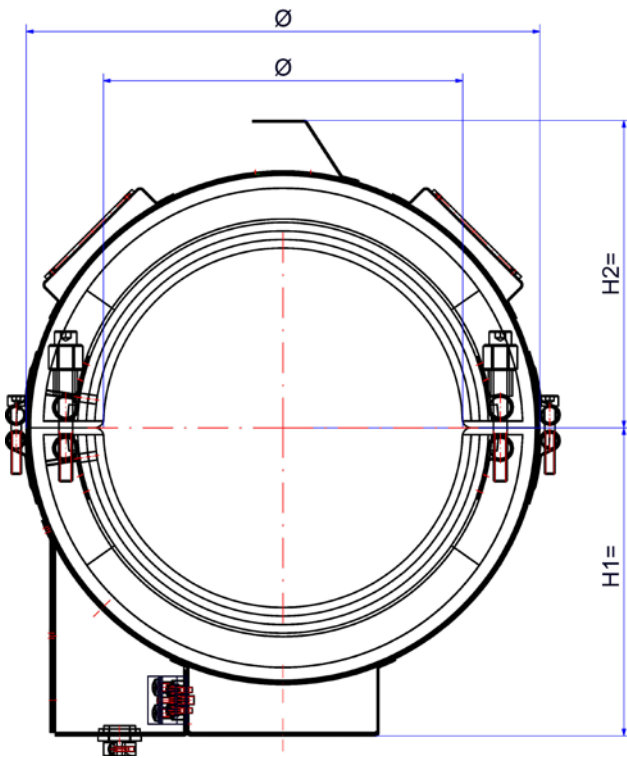
Volt (kind of current): .....

- air baffle plate
- warning sign

length: .....

Watt: .....

blower connection for blower .....



Attention! please indicate always thermocouple hole (posititon, degree and diameter)

